

# L'igienico

Copriwater-bidet

Scheda tecnica Art. 420L e 520T

## Art. 420L

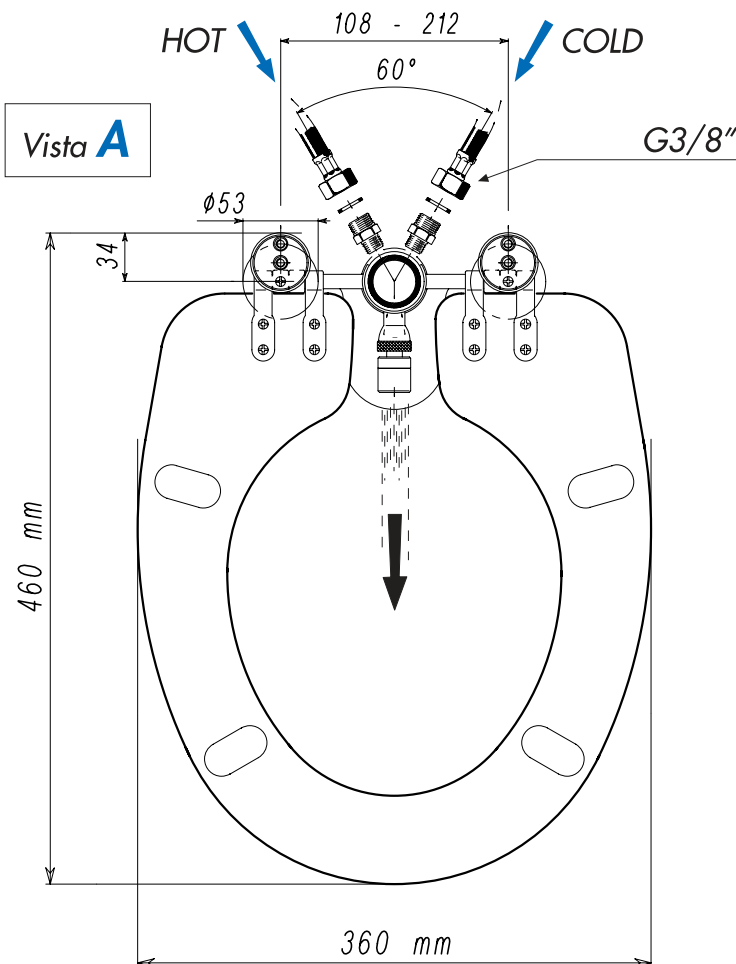
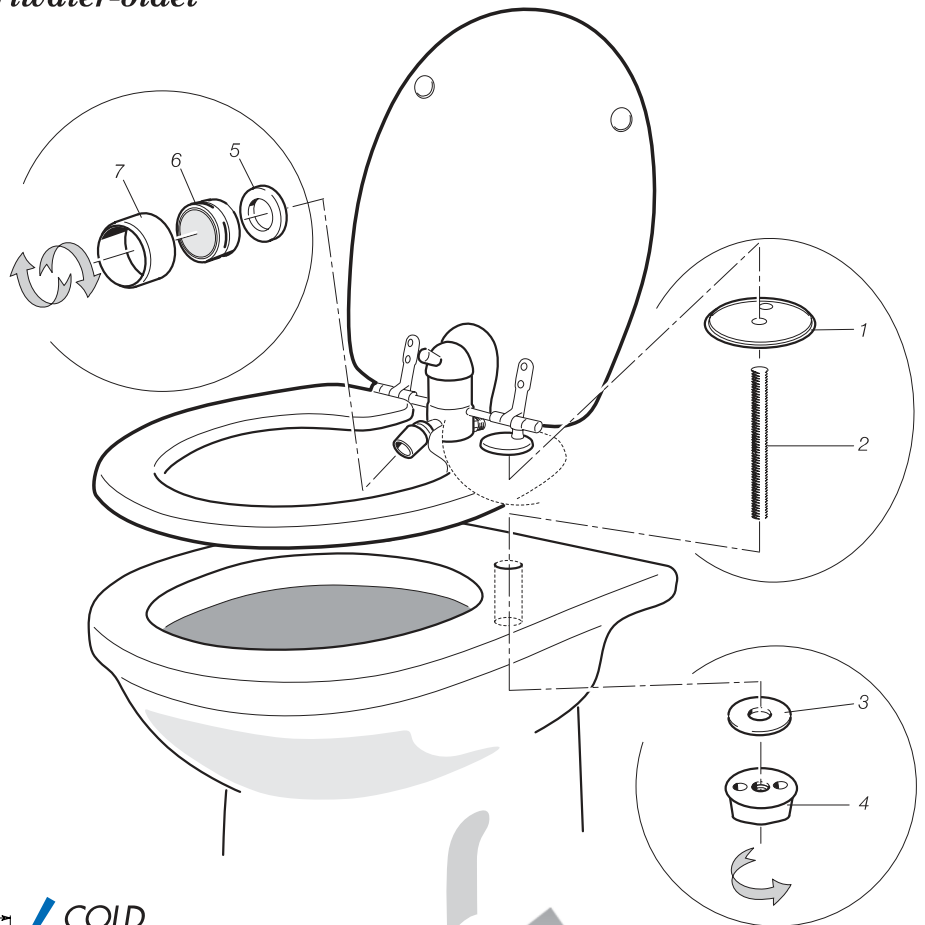
### L'IGIENICO Copriwater-bidet "DUO" con coperchio liscio

- Coperchio e anello con anima truciolare ricoperta da resina in poliestere a forte spessore.
- Viti e tiranti in acciaio inox 18/10
- Miscelatore in ottone cromato con cartuccia a dischi ceramici (ns. Art.35N)
- Paracolpi antiurto in polietilene.

## Art. 520T

### L'IGIENICO Copriwater-bidet "DUO" con coperchio liscio

- Coperchio e anello in termoindurente
- Viti e tiranti in acciaio inox 18/10
- Miscelatore in ottone cromato con cartuccia a dischi ceramici (ns. Art.35N)
- Paracolpi antiurto in polietilene.



## Art. 420L

### THE HYGIENIC Smooth-cover for water-closet and bidet "DUO"

- Cover and ring with core in chipboard, coated with resin in polyester-high thickness.
- Screws and tie rods in stainless steel 18/10
- Mixer in chromium-plated brass with ceramic cartridge (ns. Art.35N)
- Shock-proof buffer in polyethylene.

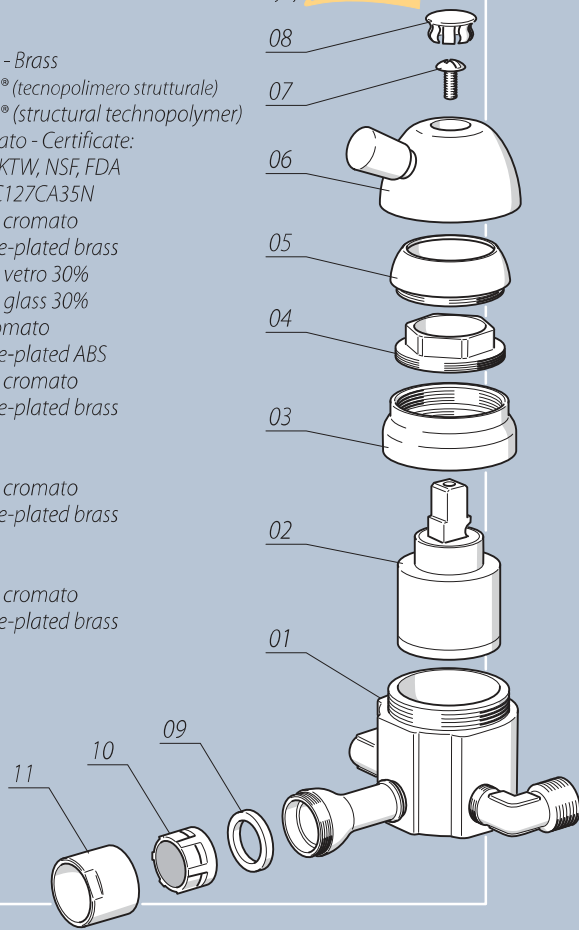
## Art. 520T

### THE HYGIENIC Smooth-cover for water-closet and bidet "DUO"

- Cover and ring with core in chipboard, coated with resin in polyester-high thickness.
- Screws and tie rods in stainless steel 18/10
- Mixer in chromium-plated brass with ceramic cartridge (ns. Art.35N)
- Shock-proof buffer in polyethylene.

**WC1200400OT** (01 - Ottone - Brass)  
**WC1200400GR** (01 - Grivory®) **NEWS**

- 01 - Ottone - Brass  
Grivory® (tecnopolimero strutturale)  
Grivory® (structural technopolymer)  
Certificato - Certificate:  
WRAS, KTW, NSF, FDA
- 02 - Art. WC127CA35N  
Nylon - vetro 30%
- 03 - Ottone cromato  
Chrome-plated brass
- 04 - Nylon - vetro 30%  
Nylon - glass 30%
- 05 - ABS cromato  
Chrome-plated ABS
- 06 - Ottone cromato  
Chrome-plated brass
- 07 - Ottone  
Brass
- 08 - Ottone cromato  
Chrome-plated brass
- 09 - NBR
- 10 - Nylon
- 11 - Ottone cromato  
Chrome-plated brass



**WC4200400OT**

- 01 - Ottone - Brass
- 02 - Art. WC127CA35N  
Nylon - vetro 30%
- 03 - Ottone cromato  
Chrome-plated brass
- 04 - Nylon - vetro 30%  
Nylon - glass 30%
- 05 - ABS cromato  
Chrome-plated ABS
- 06 - Ottone cromato  
Chrome-plated brass
- 07 - Ottone  
Brass
- 08 - Ottone cromato  
Chrome-plated brass
- 09 - NBR
- 10 - Nylon
- 11 - Ottone cromato  
Chrome-plated brass

